

DISCOVER OUR

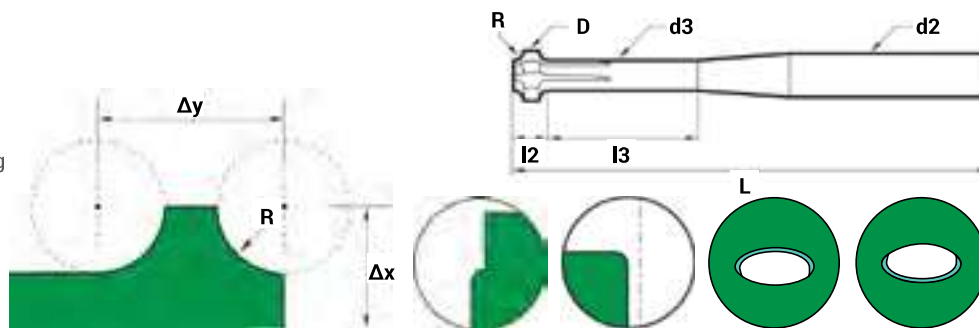
MICRO



CORNER ROUNDING END MILL 3 FLUTES

TECHNICAL DETAILS

Material CARBIDE
 Coating Uncoated
 Form Corner rounding
 Series M09 - metric
 Use Machine
 Total length 100



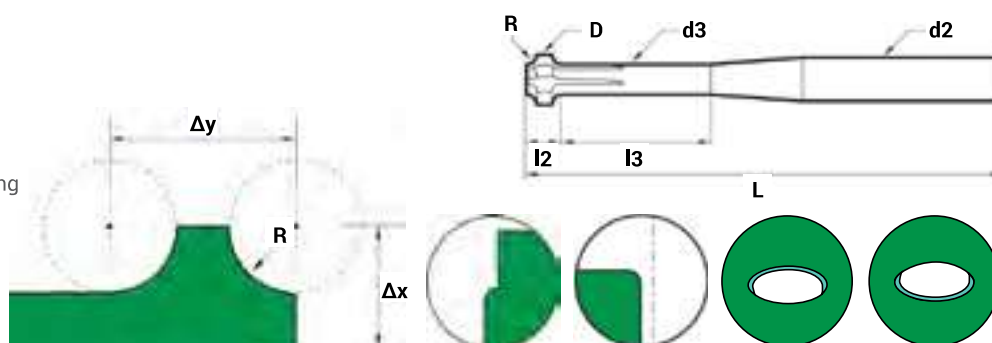
For high quality surface finishing, this range features a constant relief profile that makes longitudinal or interpolated machining easier for front and back faces of holes and surface chamfering

CROMSON M0945	R +/- 0.02	D maxi	d3 maxi	d2 h6	delta X	delta Y	l1	l2	l3
77301070	0.5	4.90	3.65	6	2.37	3.17	2.15	3.30	20
77301080	0.6	5.20	3.75	6	2.52	3.37	2.14	3.50	25
77301090	0.8	5.90	4.05	6	2.89	3.77	2.14	3.90	30
77301100	1	6.60	4.35	8	3.22	4.27	2.23	4.30	35
77301110	1.2	7.40	4.75	8	3.62	5.07	2.63	5.20	35
77301120	1.5	8.40	5.10	10	4.12	5.77	2.73	5.80	35
77301130	1.8	9.30	5.40	10	4.57	6.37	2.72	6.40	35
77301140	2	9.90	5.60	10	4.87	6.87	2.82	6.80	35
77301150	2.5	10.90	5.60	12	5.37	7.97	2.90	7.80	35
77301160	3	11.90	5.60	12	5.87	9.07	3.00	8.80	35

CORNER ROUNDING END MILL 2 FLUTES

TECHNICAL DETAILS

Material CARBIDE
 Coating Cr 55
 Form Corner rounding
 Series M09 - metric
 Use Machine
 Total length 60



CROMSON M0945-C	R +/- 0.02	D maxi	d3 maxi	d2 h6	delta X	delta Y	l1	l2	l3
77301025	0.2	1.90	1.25	1.32	0.87	1.32	0.90	1.45	8
77301035	0.3	2.30	1.45	1.82	1.07	1.82	1.20	1.95	9
77301045	0.4	2.60	1.55	2.37	1.22	2.37	1.55	2.50	10
77301055	0.5	2.90	1.65	2.87	1.37	2.87	1.85	3.00	12